

# PanQ

Panoramic Imaging



# Panoramic Imaging

High Resolution x-ray Imaging system

Suni PanQ uses advanced CMOS sensor, which improves image quality while keeping radiation exposure to a minimum putting the patient's safety first.



## Multi-Focus Function

The Multi-Focus function can overcome patient mis-positioning, letting the user select the most optimally-focused choice from a section of images.



CMOS



Wheel Chair Accessible



Multi-Focus Function



Exposure Programs



Face-to-face Positioning



Voice Prompting System



Focal Spot 0.5mm



Short Ceph Arm  
(Suni PanQ-C model)

# Exposure Programs

Suni PanQ supports various exposure programs, fulfilling all diagnostic needs. Standard panoramic, orthogonal panoramic, bitewing panoramic, child panoramic, TMJ lateral double, horizontal & vertical x-ray segmentation, **TMJ PA Double**, **TMJ LAT-PA**, **TMJ LAT-PA DOUBLE**, **sinus lateral** and **sinus PA** are supported.



Standard panoramic



Orthogonal panoramic



Sinus PA / Sinus lateral midsagittal



X-ray segment



Bitewing

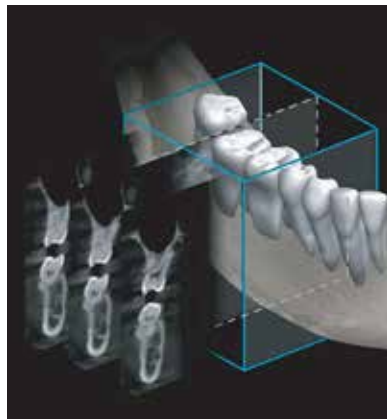
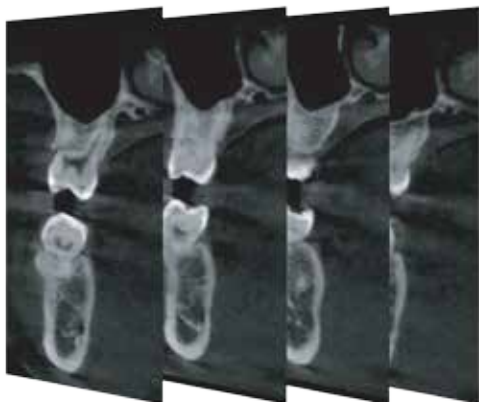


TMJ lateral double

# Tomography Imaging (Optional)\*

## CUST (Cubical Semi Tomography Technology)

Suni PanQ CUST is a 3D imaging function that provides cross-sectional information for implant preparation.



- High image quality due to statistical reconstruction technique.
- 3D images has 256 cross-sectional slices with a 0.195mm thickness and FOV 50x50x103mm.
- Complements panoramic imaging and provides tomographic images required for implant planning
- When planning the implant, CUST images help to communicate with your patient (Minimal investment, Maximal benefit)
- Suni PanQ with CUST function is economical compared to CBCT

## Tomography Exposure Programs



# Smart & Compact Design !

## Digital X-ray imaging system, SuniPanQ

Suni PanQ: This smart design will allow for easy and fast installation. Not only that, its compact design requires minimum space and is easily accessible for your patients.



Convenient accessory tray



User friendly LED indication



Comfortable hand grip

## Suni ImageQ Software

Suni ImageQ Software is able to manage all images from all devices. (panoramic, cephalometric, intraoral sensor, intraoral camera, and digital camera).

<b>Image viewing</b>	Zoom, Panning, Comparing, Window leveling	<b>Measurement</b>	Distance, Angle
<b>Annotations</b>	Line, Arrow, Text, Stamp		
<b>Implant simulation, DICOM 3.0 compatibility</b>	Storage (DICOM send), film printer, worklist etc		
<b>Image enhancement, Printing</b>	Paper, Film printer, WYSWYG	<b>Image import/export</b>	bmp, jpg, gif, png, dcm etc



# Technical Specifications

## General

		Pan Q	Pan Q-C
Panoramic Exposure		●	
Cephalometric Exposure		—	●
Exposure Time	Panorama	9 ~ 17 sec	9 ~ 17 sec
	Cephalo	—	4 ~ 12 sec
Image Field Height (mm)	Panorama	150	152
	Cephalo	—	228
Focal Spot		0.5mm	
Target Angle		5°	
Maximum Tube Voltage		90kV	
Minimum Tube Voltage		60kV	
Anode Heat Storage Capacity		35kJ	
Maximum Anode Heat Dissipation Rate		250W	
Line Voltage		220 V, 50/60Hz	

## Sensor

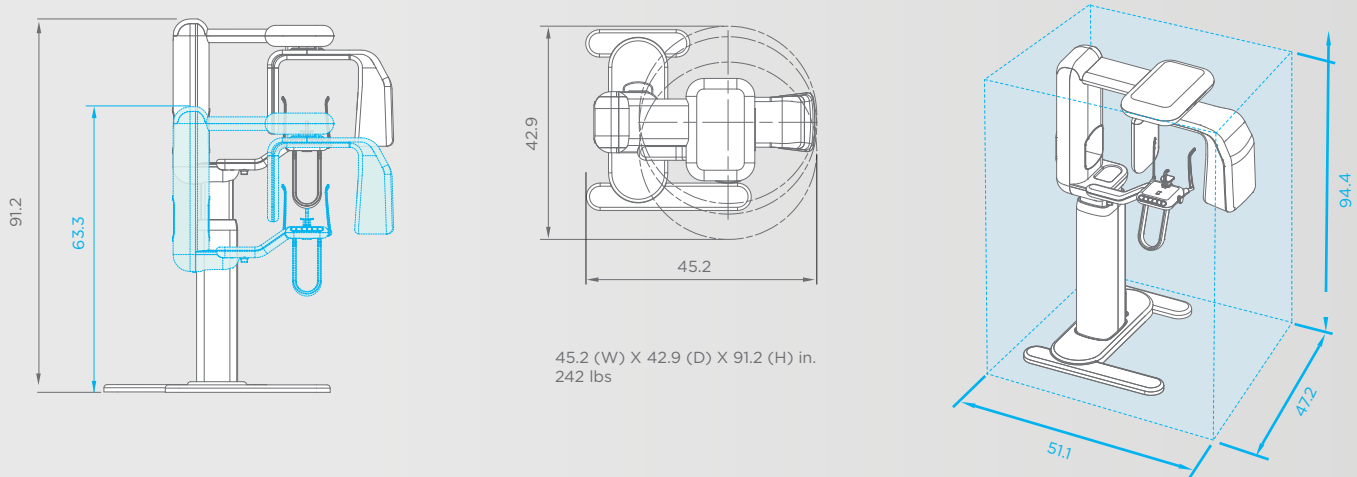
		Pan Q	
Pixel Pitch		75 x 75 μm	75 x 75 μm
Active Area		152 x 6.5 mm	228 x 6.5 mm

## CUST

X-ray beam	fan beam
Volumetric image size	50 x 50 x 103 mm
Number of slices	256
Slice thickness	0.195 mm

The specifications above can be changed to improve performance without notice.

## Dimensions



**Schedule a  
demo now**

**800 GET SUNI**  
**www.suni.com**